

JDBasic

End-of-Life Information

Grundfos JDBasic water pumps must be disposed of according to local regulations by using a public or private waste collection service. If this is not possible, contact the nearest Grundfos company or service workshop.

Safety Risk

- Safety related to materials used
There is no risk for people during the disassembly process posed by the materials used for the product.
- Safety related for handling the product
There is no risk for people when handling the product.

Disassembly of the Product

The main materials of the components are:

Polypropylene (PP)

- Iron
- Copper
- Aluminium

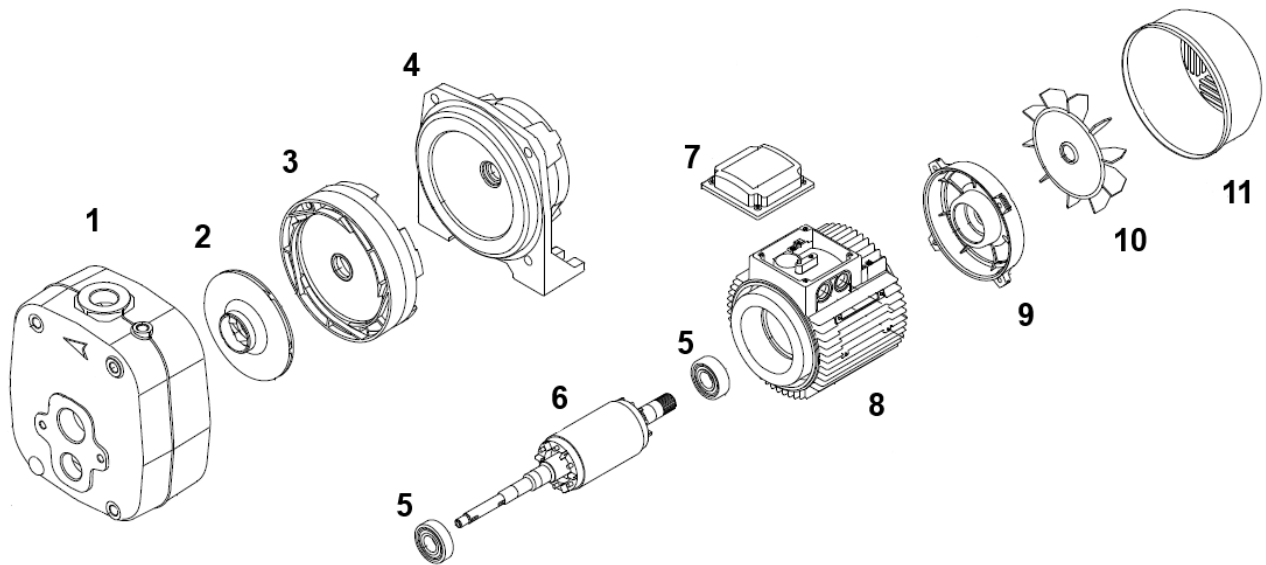
and can therefore be recycled to a large extent – depending on the national possibilities for recycling.

The pump is assembled by using screws and bolts and can be disassembled with standard tools.

JDBasic 5, 7

Designation	Name	Material	Special Disassembly Consideration
1	Pump body	Polypropylene (PP)	
2	Impeller	Polypropylene (PP)	
3	Chamber	Polypropylene (PP)	
4	Flange	Iron	
5	Bearing	Iron	
6	Rotor with shaft	Iron, aluminium, copper	
7	Terminal box cover	Polypropylene (PP)	
8	Stator housing	Iron, copper	
9	Housing	Iron	
10	Fan	Polypropylene (PP)	
11	Fan cover	Polypropylene (PP)	
Additional materials:		Screws, gaskets, cable etc.: Various materials less	

than 5% of weight.



JDBasic 2, 4

Designation	Name	Material	Special Disassembly Consideration
1	Pump body	Polypropylene (PP)	
2	Chamber	Polypropylene (PP)	
3	Impeller	Polypropylene (PP)	
4	Flange	Polypropylene (PP)	
5	Housing	Iron	
6	Holder	Polypropylene (PP)	
7	Capacitor	Electronic scrap	
8	Terminal box cover	Polypropylene (PP)	
9	Upper shell	Polypropylene (PP)	
10	Bearing	Iron	
11	Rotor with shaft	Iron, aluminium, copper	
12	Lower shell	Polypropylene (PP)	
13	Stator housing	Iron, copper	
14	Housing	Iron	
15	Fan	Polypropylene (PP)	
16	Fan cover	Stainless steel	
Additional materials:		Screws, gaskets, cable etc.: Various materials less than 5% of weight.	

